



ABCO Products Inc.  
Underwater E&P Equipment Systems  
Umbilical Accessories  
Control Components and Systems  
VIV Suppression

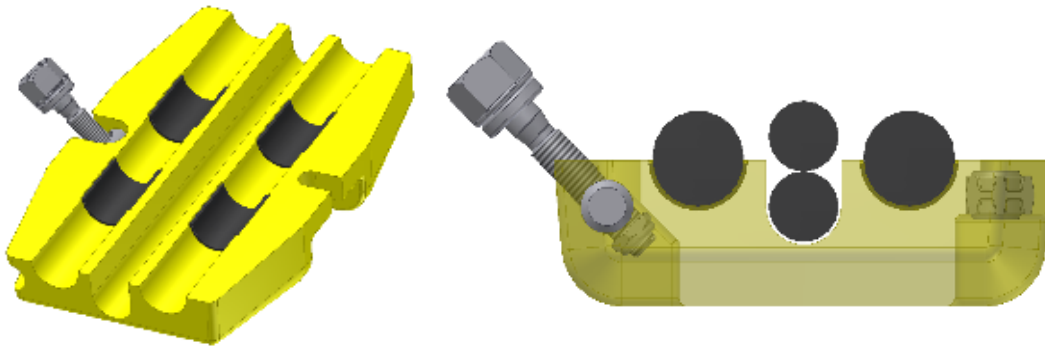
Office:  
7108 West Little York  
Houston, TX 77040  
Phone: 713 871 8020  
Fax: 713 871 0492

### Bundle Clamp Spec Sheet

The API Bundle Clamp is designed to manage the clashing of 3-4 lines in a storm loop by keeping them attached together such that they move as one unit. The clamp grips two outer lines and allows the middle line(s) to move freely while maintaining fixed spacing.

### Material Specs

Material Designation	70-D Polyurethane
Manufacturing Process	Atmospheric Cast
Specific Gravity	1.1 - 1.15



### Specification

Parameter	Data
Weight in Air:	16 lbs
Weight in Water:	4.3 lbs
Length:	12.00"
Width:	8.23"
Height	4.75"
Grip Cable Size Range:	Ø1.25" - Ø1.50"
Loose Cable Max OD:	Ø1.20"



ABCO Products Inc.

Underwater E&P Equipment Systems

Umbilical Accessories

Control Components and Systems

VIV Suppression

Office:

7108 West Little York

Houston, TX 77040

Phone: 713 871 8020

Fax: 713 871 0492

## **Installation**

- 1.1.* Prepare each half of the Bundle Clamp; loosen the Drive Shaft to the limit of its travel and swing open.
  
- 1.2.* Address the lines to one half of the clamp; place the two lines to be gripped in the outer grooves with the rubber inserts and the remaining line(s) in the center groove.
  
- 1.3.* Capture the lines with the second half of the clamp, swing the Drive Shafts to the closed position, and hand tighten.
  
- 1.4.* Torque bolts until two halves are touching or 30 ft-lbf max\*, which ever comes first.

\*Note: Exceeding this torque will stress the urethane beyond the creep limit of the material.